

## 6 Port Fast Ethernet PoE Switch

**4 Port PoE + 2 Port Uplink**



### **0E-4POE2UPLK**

The 6 Port / 4 PoE Ethernet Switch is fully integrated to support security monitoring, provides fast packet forwarding capability, as well as fast Ethernet transfer rates by utilizing the appropriate bandwidth to ensure clear images/smooth transmission and enough bandwidth for high -definition video.

- 4 x 10/100 Mbps PoE Ports
- 2 x 10/100 Mbps Ports
- Easy Set-up: Plug and Play
- 62W PoE Budget
- Switching Capacity: 1.2 gbps
- Extend Mode up to 820 ft (250 meters)
- Intelligent PoE Port Prioritized Feature
- Warranty: Limited Lifetime

PART # : 0E-4POE2UPLK

UPC : 840049305113

Input of Power Supply: 100-240 VAC

Transmission Distance: 100 Meter (328ft)

MAC Address: 2K MAC Address Table

Dimension: 4" x 2.95" x 0.86"

102 x 75 x 22mm

Weight : 1.32 lb

0.6 kg

Product Certification:



# SPEC SHEET



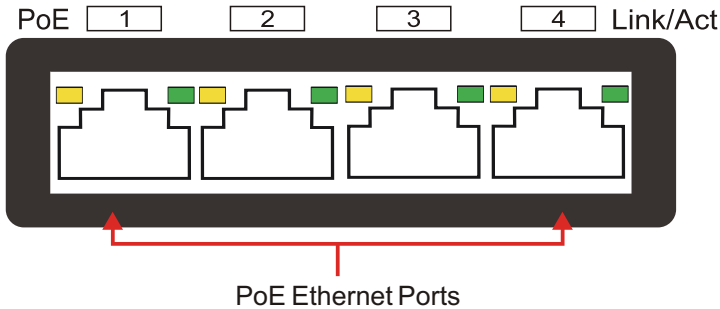
Item		Description
Power	Power Supply	External power supply
	Voltage Range	52 VDC
	PoE Power Budget	62W for PoE
Ethernet	Speed	1~6 Port : 10/100Mbps
	Transmission Distance	1-4 port 328ft (100 meters) with 100Mbps 820ft (250 meters) with 10Mbps Uplink: 328ft (100 meters) with 100Mbps
Network Switch	Ethernet Standard	IEEE 802.3/802.3u/802.3af/802.3at
	Switching capacity	1.2G
	Transfer Rate	14,880 pps for 10Mbps 148,800 pps for 100Mbps
	MAC Address	1K MAC address table
Extend Mode	On -	1-4 port will be 10mbps and transmission distance can be up to 820ft (250 meters)
LINK/ACT	On Green	The port is connecting
	Blinks -	The port is receiving or transmitting data
	Off -	The port is not linked successfully with the device
PoE	On Orange	PD is connected
	Off -	No PD is connected or power forwarding fails
	PoE pin assignment	V+(RJ45 Pin 1,2), V-(RJ45 Pin 3, 6)
Working Environment	Working Temperature	0~40°C (32~104 Deg. F)
	Storage Temperature	-40~70°C (-40~158 Deg. F)
	Humidity non-condensing	0~85%
Mechanical	Dimension L * W * H	4" x 2.95" x 0.86"
		102 x 75 x 22mm
	Color	Black

FOR MORE INFORMATION,  
CONTACT YOUR ADI SALES PERSON.

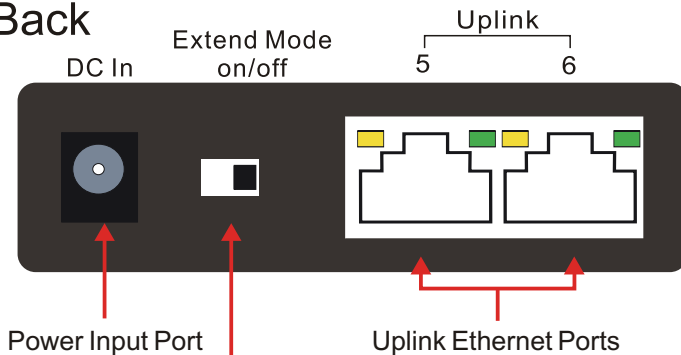
[wboxtech.com](http://wboxtech.com)

## Board Diagram

### Front



### Back



Extend mode ON - supporting long transmission distance up to 820 ft. (250 meters) with 10mbps for 1-4 ports

## Intelligent PoE Port Prioritized Feature

### PoE port cut off scheme for PoE Port Prioritized Feature



When total PoE output exceeds 62W, the PoE switch will start disconnecting the PoE ports from the highest numbered port until total PoE output is less than 62W, then disconnected ports will be back to work . The port(s) that will be disconnected will be alternately switched off and on.